

OUR APPROACH

ISELI has been founded by experts who share the same values for renewable, for sustainability and for excellence. Thanks to a team cumulating more than 50 years' experience in the PV modules manufacturing sector, ISELI designs and manufactures its TOP class products with the objectives to always provide the best Quality to its customers.

At ISELI, we exceed and re-invent the standards of the industry with one objective: Customer satisfaction.



POLY SERIES

300 -340 WP

+ 0/+5 WP Positive Tolerance

↔ ROOFTOP AND OFF-GRID DESIGN

✓ HIGH QUALITY

25 year linear performance
12 year product warranty



IEC 61215
IEC 61730

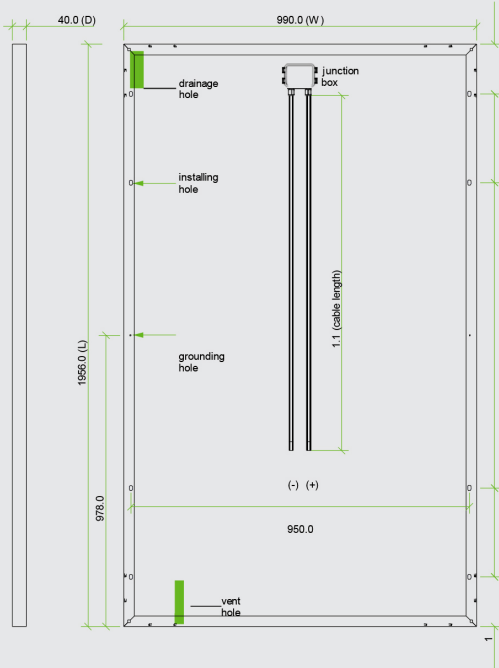


POLY SERIES

Thanks to the use of High Quality solar cells, our panels achieve outstanding performance and ensure maximum production output even under poor lighting conditions. The strong yet ultra light frames makes easy installation but robust for residential and commercial.

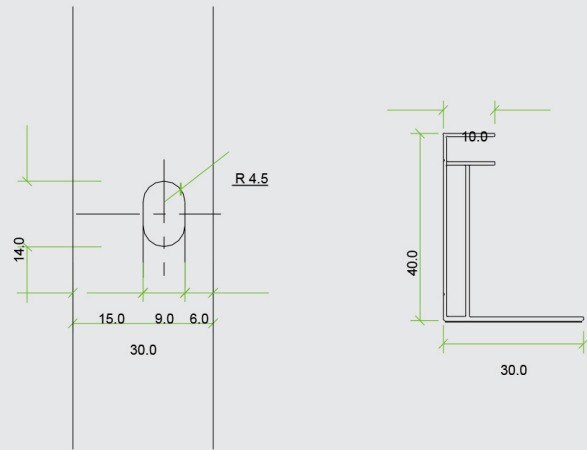


POLY SERIES 300 - 340 WP



GENERAL CHARACTERISTICS

Cell	Polychrystalline solar cell 156 x 156 mm
No. of Cells (connections)	72 (6x12)
Panel Dimensions	1956 x 992 x 35-40 mm
Weight	21 kg
Connectors and cable	Connectors & 0.9 - 1.1m cables



THERMAL CONDITIONS

Normal Operating Cell Temperature 800W/m ² Irradiance, 20°C, AM = 1.5	48C ±2°C
Power Temperature Coefficient	-0.5%/K
Current Temperature Coefficient	0.035%/K
Voltage Temperature Coefficient	-0.37 MV/K

LIMITS

Operating Temperature	-40°C to 85°C
Maximum System Voltage	1000V DC

ELECTRIC PERFORMANCE at STC*

	300 Wp	305 Wp	310 Wp	315 Wp	320 Wp	325 Wp	330 Wp	335 Wp	340 Wp
Maximum Power									
Power Tolerance	0/+5 Wp	0/+5 Wp	0/+5 Wp	0/+5 Wp	0/+5 Wp	0/+5 Wp	0/+5 Wp	0/+5 Wp	0/+5 Wp
Module efficiency	15.40%	15.70%	16.00%	16.30%	16.60%	16.90%	17.20%	17.50%	17.80%
Maximum Power Voltage	36.86 V	37.15 V	37.45 V	37.68 V	37.96 V	38.33 V	38.65 V	38.96 V	39.31 V
Maximum Power Current	8.14 A	8.21 A	8.28 A	8.36 A	8.43 A	8.48 A	8.54 A	8.60 A	8.65 A
Open Circuit Voltage	45.2V	45.35 V	45.44 V	45.36 V	45.69 V	45.8 V	45.86 V	45.90 V	45.94 V
Short Circuit Current	8.79 A	8.85 A	8.88 A	8.93 A	8.99 A	9.03 A	9.08 A	9.13 A	9.16 A

*Standard Test Conditions: 1000W/m² irradiance, 25°C and AM = 1.5

HIGH PERFORMANCE

25 25 years linear performance

12 12 years product warranty

